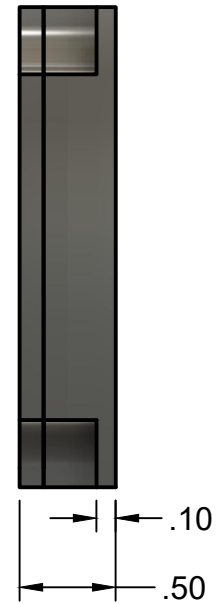
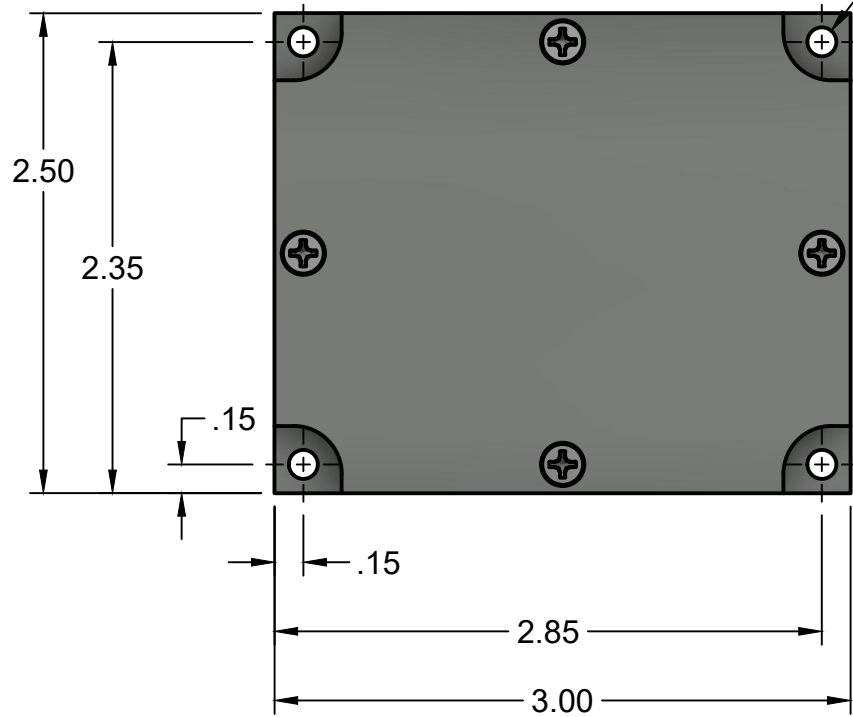


4X $\phi.15 \nabla .50$
Clearance for #6-32



Tolerances (angular and linear)
(Except where stated)
.XXX \pm .002"
.XX \pm .005"
.X \pm .010"
Angular \pm 0.50°
All units in Std. inch

Evanescent Optics Inc.

3325 North service Road, Burlington Ontario Canada L7N 3G2.
Tel: +1 (905)336-2626

Material: ----	Drawn by: Marc Meuris	Project: EOI PROJECTS	Rev:
Surface Finish Ra < 63	Approved by:	Part name: 2.5X3.0 Array Assembled v3	Size: A
Drawn for reference only	Date: 5/08/24	Part number: 2.5X3.0 Array Assembled	Scale: 1:1
		Quantity:	Sheet: 1/1